

# ADJUSTABLE SOFT-DOWN STAY D0S002 / D0S003 Fitting Instructions

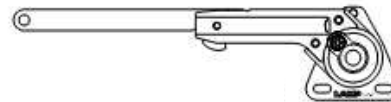
This product has dampering function, and is designed for a relatively light weight cabinet or furniture door. We will not be liable for any injuries or damage due to incorrect installation or use on a door that is not within limited usage.

**⚠ CAUTIONS**

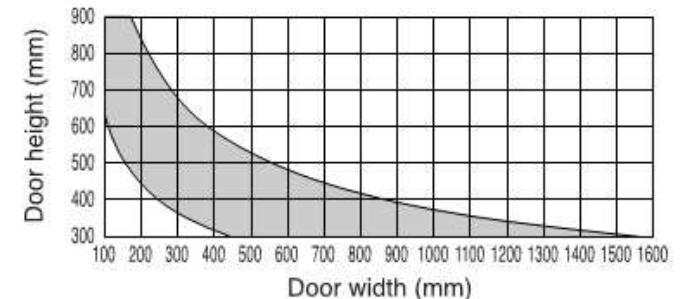
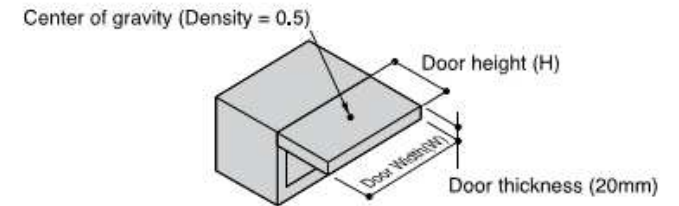
- ❶ Be sure to install at proper mounting position. Wrong installation may not only disable proper operation, but also damage product or hinge.
- ❷ This product is designed to operate at room temperatures between 0°C to 40°C (32F-104F).
- ❸ This product has a spring at the elbow section. Please be careful not to get your fingers caught in elbow section while you are handling the unit.
- ⊘ Do not force the door to close faster. It can cause damage to the product or hinge(s).

**■ Model (For standard screw)**

Position	Suitable screw on stay	Suitable screw on mounting plate
Left	$\phi 3.5 \times 3$	$\phi 3.5 \times 3$
Right	$\phi 3.5 \times 3$	$\phi 3.5 \times 3$



(left hand side mounting)



\*In case of usual wooden flap of 20 mm thickness  
(specific gravity approx. 0.5)

**APPLICABLE DOOR WEIGHT AND SIZE**

This product must be applied to a door with specific weight and size. Lined Section on the right of the graph indicates applicable door weight range based on 1 unit per door.

Note-1: In case of 2 units (right & left) per door are used

Door Width (W) can be twice as large, if the door height remains unchanged

Note-2: In case of different door thickness or specific gravity, door weight must fit with following formula.

\*1 unit per door:

MIN.~MAX.

$1/2 \text{ door height (cm)} \times \text{door weight (kg)} : 20 \sim 70 \text{ kg} \cdot \text{cm}$

$(1/2 \text{ door height (inch)} \times \text{door weight (lb)}) : 17 \sim 60 \text{ lb} \cdot \text{inch}$

\*2 units (right & left) per door:

MIN.~ MAX.

$1/2 \text{ door height (cm)} \times \text{door weight (kg)} : 40 \sim 140 \text{ kg} \cdot \text{cm}$

$(1/2 \text{ door height (inch)} \times \text{door weight (lb)}) : 35 \sim 120 \text{ lb} \cdot \text{inch}$

ABOVE DRAWING & THESE INSTRUCTIONS SHOW LEFT HAND SIDE MOUNTING. RIGHT HAND SIDE IS SYMMETRICAL.

# ADJUSTABLE SOFT-DOWN STAY D0S002 / D0S003 Fitting Instructions

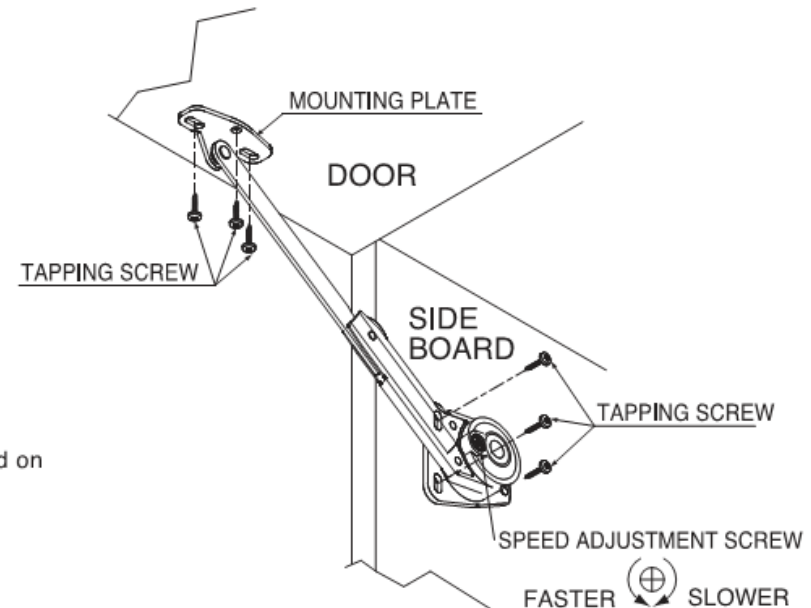
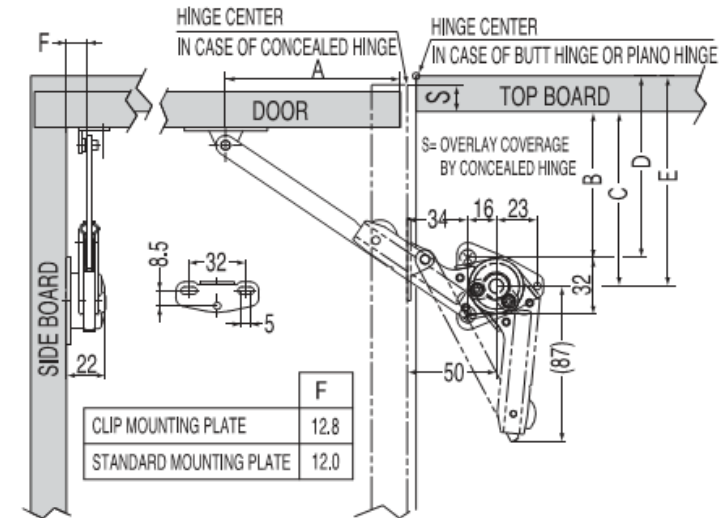
1. Mount the body and arm fixing plate on sideboard and back of door with tapping screws ( $\phi 3.5$ ) to oval holes temporarily.
2. Align notch on mounting plate and hole on arm by rotating the stays to fix them.
3. Check the function and adjust mounting plate on oval holes. Then fix them with the tapping screws in the round holes of the stay and mounting plate.

### ■ CONCEALED HINGE

OPENING ANGLE \ MEASURE-MENT	A	B	C
80°	106	105-S	121-S
90°	98	97-S	113-S
100°	92.5	91.5-S	107.5-S

### ■ PIANO HINGE OR BATT HINGE

OPENING ANGLE \ MEASURE-MENT	A	D	E
80°	100	99	115
90°	91.5	90.5	106.5
100°	85	84	100



### SPEED ADJUSTMENT

Upon completion of installation, make sure the door opens and closes properly. To adjust the opening/closing speed of door, turn speed adjustment screw. In case 2 units (right & left) are used on a single door, the speed adjustment screws on both sides must be turned evenly.

### ⚠ CAUTIONS

- ❗ Do not turn the speed adjustment screw exceeding the limit.
- ❗ For speed adjustment, use a Philips (plus) screwdriver with  $\phi 5$  or less.

ABOVE DRAWING & THESE INSTRUCTIONS SHOW LEFT HAND SIDE MOUNTING. RIGHT HAND SIDE IS SYMMETRICAL